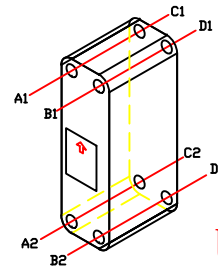
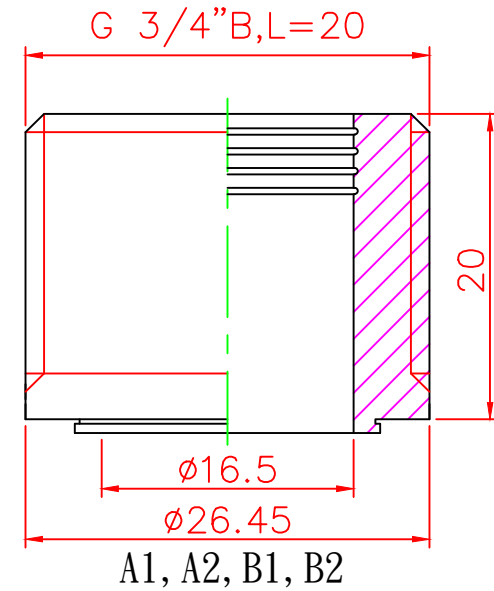
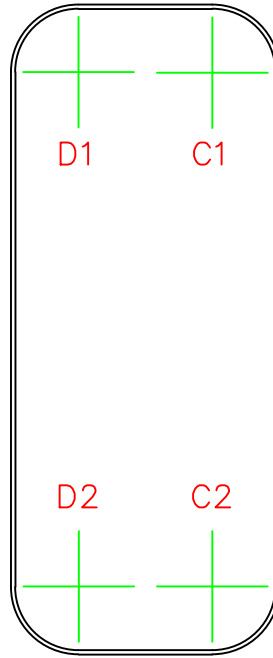
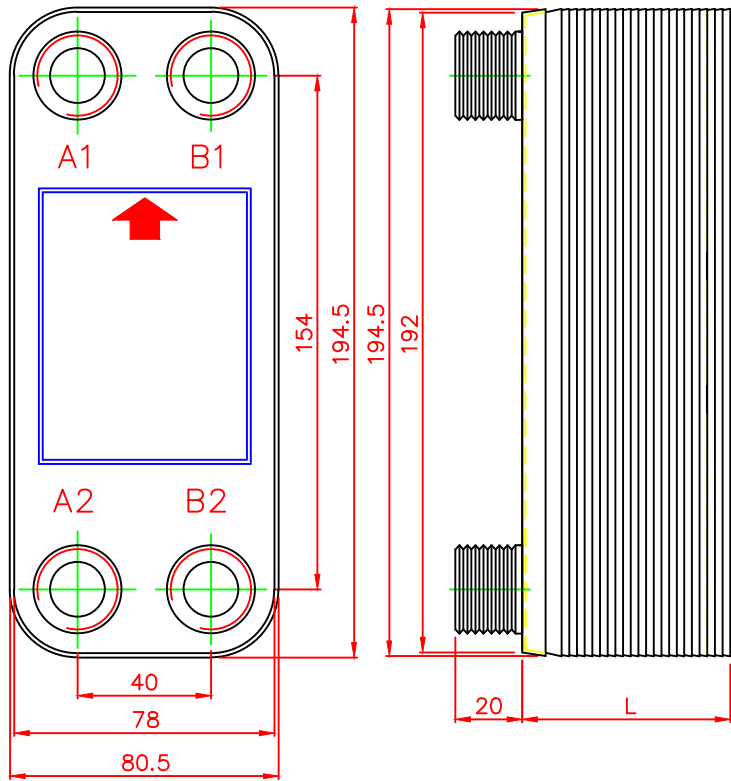


(Maximum Working Pressure:10 bar)



MODEL	Connectors		L(mm)	weight(kg)
	A1,A2,B1,B2			
E030 * 10 M-GB6			7+2.25N	0.3+0.045N
E030 * 10 M-GB6			29.5 ±1	0.75
E030 * 20 M-GB6			52.0 ±2	1.20
E030 * 30 M-GB6	G 3/4"B		74.5 ±2	1.65
E030 * 36 M-GB6	Male Thread		88.0 ±2	1.92
E030 * 40 M-GB6			97.0 ±2	2.10
E030 * 42 M-GB6			101.5 ±2	2.19

UNIT: mm

**KAORI**  
高力熱處理工業股份有限公司  
KAORI HEAT TREATMENT CO., LTD.

DESIGN

課長  
2011.3.16  
葉晉瑞

DRAW

PHE  
2011.3.16  
袁筱雯

CHECK

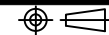
課長  
2011.3.16  
葉晉瑞

APPROVE

經理  
2011.3.16  
侯博文

SCALE:

E030 BHE Dimension  
E030\*NM-GB6



5			
4			
3			
2			
1			
REVISION	DATE	REVISER	NOTE